

Hot Water Generator

The Hot Water Generator is the most efficient fresh hot water tank available on the market.

It is a thermal store, with a bespoke, internally mounted, heat transformer. It can be used to generate both domestic/potable water and primary water for space heating.

It can be charged by any renewable energy source (or oil/gas boiler). This energy is stored in the main body of the tank/thermal store as primary/heating water. This charged energy can then be used directly for space heating or instantaneously transferred across the walls of the heat exchanger, into the fresh water that is passing through it. This gives you fresh potable hot water on demand, that is free from legionella and other bacteria and is up to **70% more efficient than other systems available on the market.**

Standard Features

All Hot Water Generators:

- can produce domestic hot water and heating water
- come with 2 connections for immersion heaters
- are WRAS approve
- come with 100 mm insulation
- are anti-legionella

Hot Water Generators are compatible with all energy sources

A range of internal domestic heat exchangers are available depending on flow demand

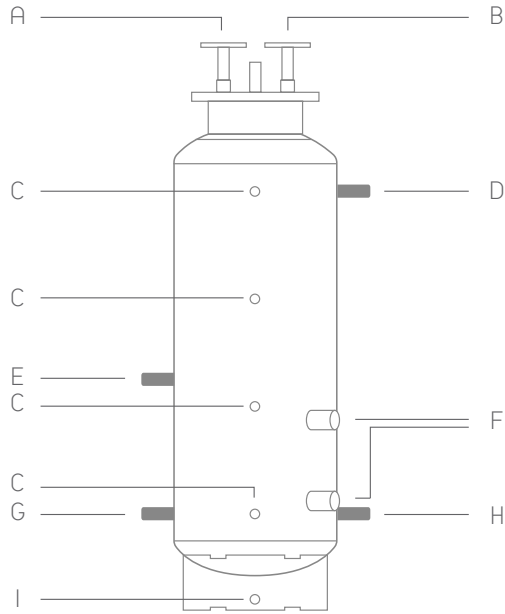
Typical Sizes

Capacity (L)	Height (mm)	Diameter (mm)	Insulation (mm)	Heat Loss (kWh/day)
500	2100	800	100	1.65
1000	2400	1000	100	5.48
2000	2500	1300	100	8.7
5000	3300	1730	100	16.03

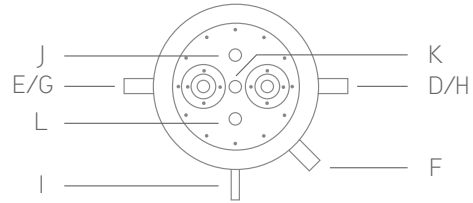
Internal Domestic Heat Exchanger

Model	Surface Area (m ²)	Flange Connection Size (mm)	Internal Capacity (L)	Design Pressure (Bar)	Typical Output (L/hr)
36	10.5	42	9.16	9	2866
48	14	54	12.21	9	3821
60	17.5	76	15.27	9	5732

500L HWG Standard

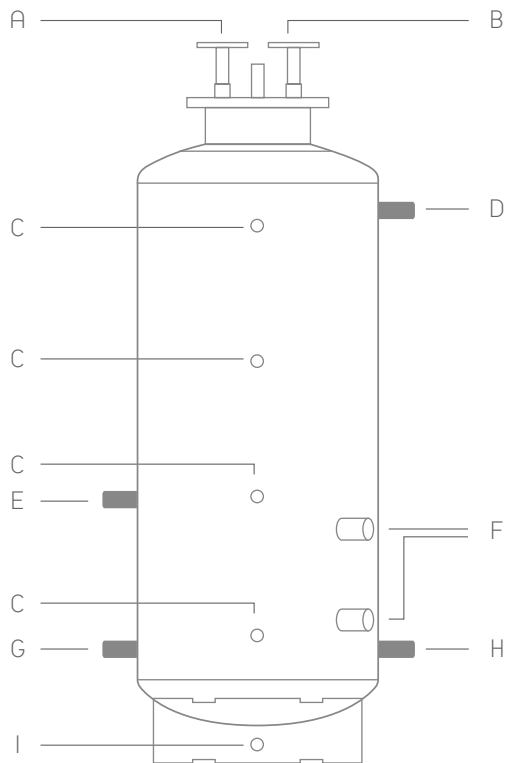


Top View:

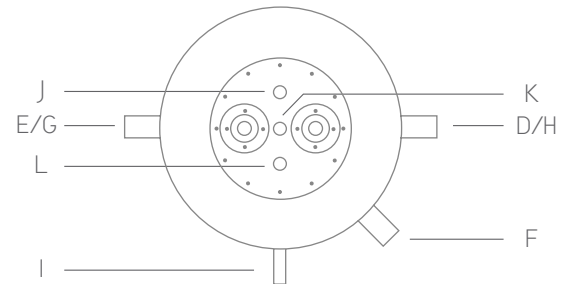


- A - HWSF (42mm PN16 Copper Flange)
- B - CWS (42mm PN16 Copper Flange)
- C - 1/2" BSP Female (Sensor Pocket)
- D - 1 1/2" BSP Female (Primary Flow)
- E - 1 1/2" BSP Female (Heating Flow)
- F - 2 1/4" BSP Female (Immersion Boss)
- G - 1 1/2" BSP Female (Heating Return)
- H - 1 1/2" BSP Female (Primary Return)
- I - 1" BSP Female (Drain)
- J - 1" BSP Female (PTR)
- K - 1" BSP Female (AAV)
- L - 1" BSP Female (Anti-vac valve)

1000L HWG Standard

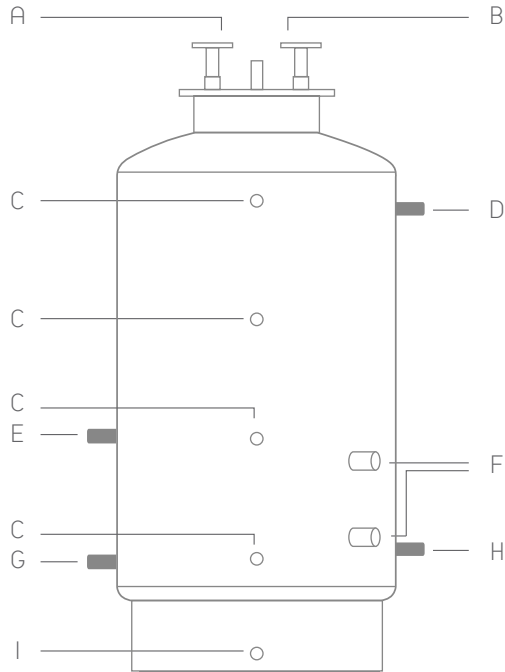


Top View:

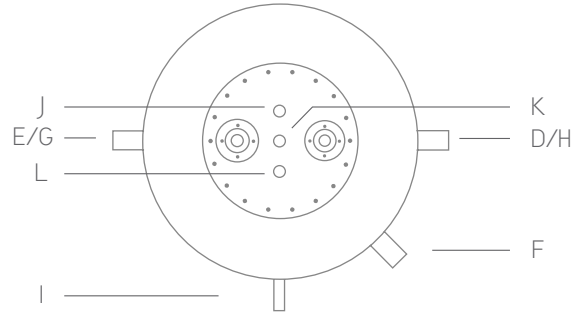


- A - HWSF (54mm PN16 Copper Flange)
- B - CWS (54mm PN16 Copper Flange)
- C - 1/2" BSP Female (Sensor Pocket)
- D - 2" BSP Female (Primary Flow)
- E - 2" BSP Female (Heating Flow)
- F - 2 1/4" BSP Female (Immersion Boss)
- G - 2" BSP Female (Heating Return)
- H - 2" BSP Female (Primary Return)
- I - 1" BSP Female (Drain)
- J - 1" BSP Female (PTR)
- K - 1" BSP Female (AAV)
- L - 1" BSP Female (Anti-vac valve)

2000L HWG Standard

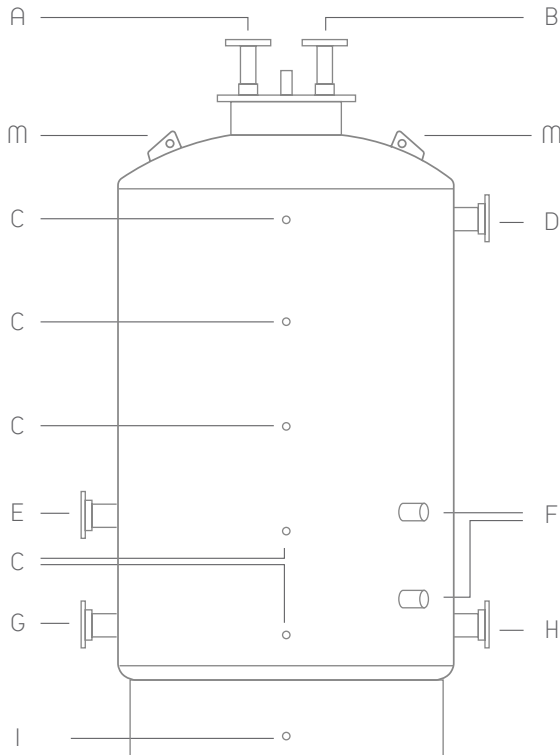


Top View:

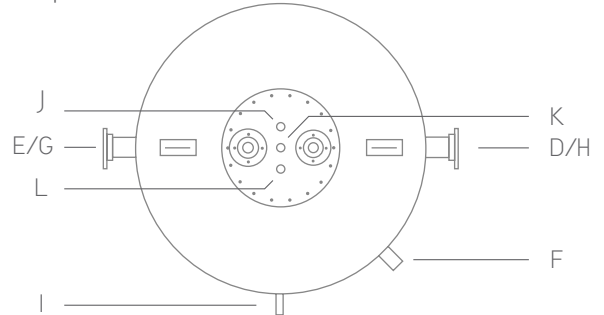


- A - HWSF (54mm PN16 Copper Flange)
- B - CWS (54mm PN16 Copper Flange)
- C - 1/2" BSP Female (Sensor Pocket)
- D - 2" BSP Female (Primary Flow)
- E - 2" BSP Female (Heating Flow)
- F - 2 1/4" BSP Female (Immersion Boss)
- G - 2" BSP Female (Heating Return)
- H - 2" BSP Female (Primary Return)
- I - 1" BSP Female (Drain)
- J - 1" BSP Female (PTR)
- K - 1" BSP Female (AAV)
- L - 1" BSP Female (Anti-vac valve)

5000L HWG Standard



Top View:



- A - HWSF (76mm PN16 Copper Flange)
- B - CWS (76mm PN16 Copper Flange)
- C - 1/2" BSP Female (Sensor Pocket)
- D - DN100 PN16 Flange (Primary Flow)
- E - DN100 PN16 Flange (Heating Flow)
- F - 2 1/4" BSP Female (Immersion Boss)
- G - DN100 PN16 Flange (Heating Return)
- H - DN100 PN16 Flange (Primary Return)
- I - 1" BSP Female (Drain)
- J - 1" BSP Female (PTR)
- K - 1" BSP Female (AAV)
- L - 1" BSP Female (Anti-vac valve)
- M - Lifting Eye