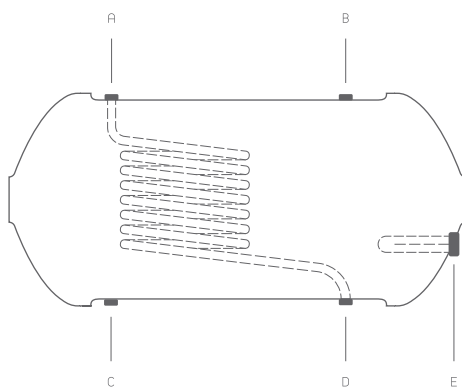
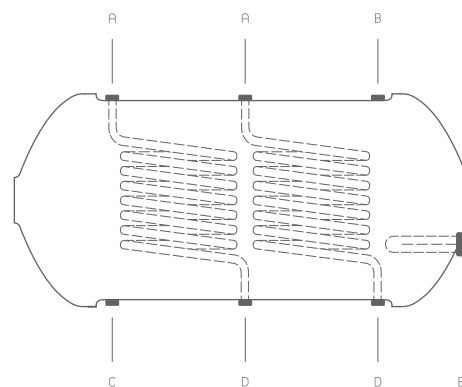


Model	Capacity (L)	Type	Dimensions Excluding Insulation		Height from ground of screwed connections					
			Height (mm)	Diameter (mm)	Cold feed (1" BSP)	Hot Outlet (1" BSP)	Direct flow (1" BSP)	Direct Return (1" BSP)	Indirect flow (1" BSP)	Indirect return (1" BSP)
30x18	98	Open Vented	750	450	100	750	495	100	350	100
36x18	120	Open Vented	900	450	100	900	597	100	520	100
42x18	144	Open Vented	1050	450	100	1050	759	100	520	100
48x18	166	Open Vented	1200	450	100	1200	900	100	520	100
60x18	218	Open Vented	1500	450	100	1500	1150	100	760	100
36x15	87	Open Vented	900	375	100	900	597	100	520	100
39x15	96	Open Vented	975	375	100	975	690	100	520	100
42x15	103	Open Vented	1050	375	100	1050	759	100	520	100
48x15	118	Open Vented	1200	375	100	1200	900	100	520	100
48x12	75	Open Vented	1200	300	100	1200	900	100	520	100

Indirect Single Coil

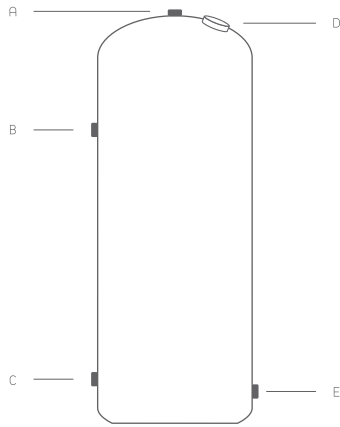


Indirect Twin Coil

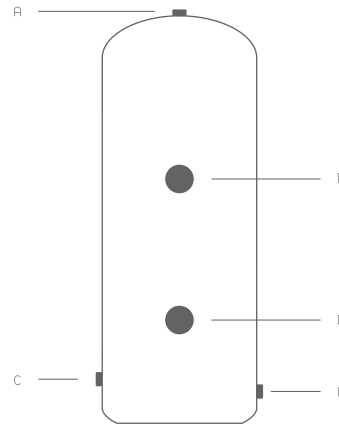


A - Flow
 B - Hot out
 C - Cold feed
 D - Return
 E - Immersion

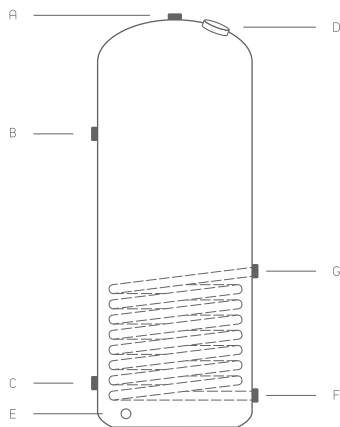
Direct cylinder



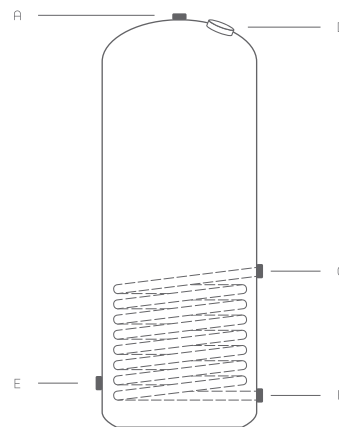
Direct economy 7 / E.S.B. Gold Shield



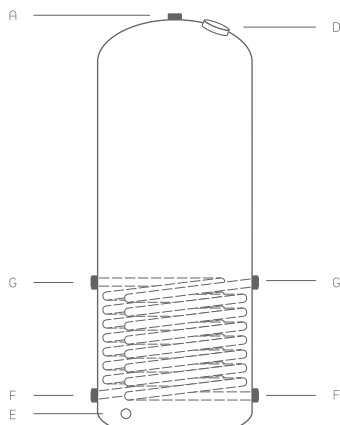
Indirect / direct



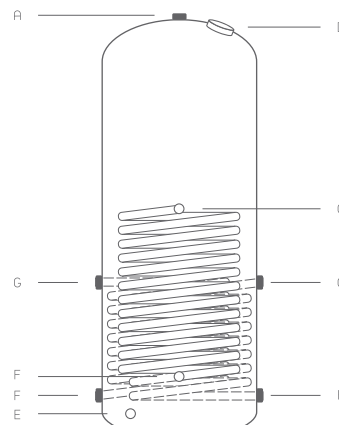
Indirect



Indirect twin coil



Indirect triple coil



A - 1" Female hot out
B - Direct flow or back boiler connection

C - Direct return connection
D - 2 1/4" Immersion boss
E - Cold feed

F - Coil return
G - Coil flow